

Cargo Trak II



The new Cargo Trak II was upgraded with a more rugged casing for outdoor and industrial use.

The new level of durability ensures (improves) tag lifetime of up to 10 years — even in harsh industrial environments — providing an even greater return on investment.



Multi-Surface
on/off metal



Superior read range



High performance
yet cost-effective



IP68



More rugged casing



Performance Characteristics

Read range (On metal) ¹	Up to 39 ft (12 m)
Read range (Off metal) ¹	Up to 20 ft (6 m)
Polarization	Linear
Attachment	Rivet hole, \varnothing 0.14 (3.5 mm), Adhesive (optional), Cable tie

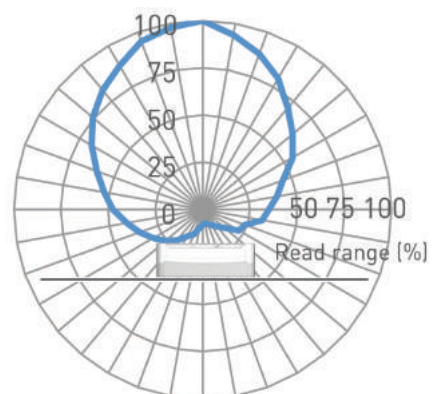
1. Fix reader

Functional Specifications

RF protocol	EPC global Class 1 Gen2
Frequency	902-928 (US) ; 865-868 (EU)
IC type (chip) ¹	Alien Higgs-3
Memory	96-EPC bits, 64-bit unique TID, 512-bit user memory
Material	Anti-UV industry grade polymer

1. The chip data retention is up to 50 years, based on chip operating under general environment conditions.

Radiation Pattern



- Freight Container Management
- Outdoors Assets Tracking
- Heavy Equipment Inspections
- RTI Management

[LEARN MORE >](#)



Environmental Specifications

Operational temperature	-40°C to +85°C
Survival temperature	-40°C to +85°C
IP rating	IP68
Compression strength	29 psi (200 kPa)
Shock (drop)	3 ft (1 m) to concrete/granite
Vibration	MIL-STD-810G

Industry Compliance

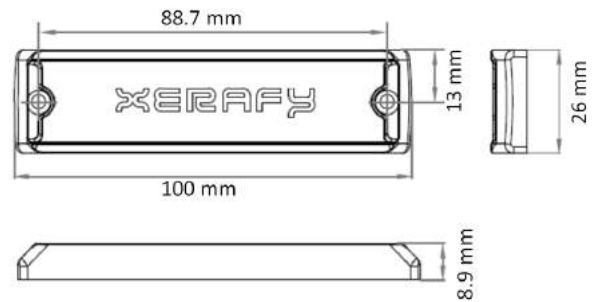
RoHS	EU Directive 2011/65/EU
CE	Yes
ATEX/IECEX	Compliant
Warranty	1 year

Order Information

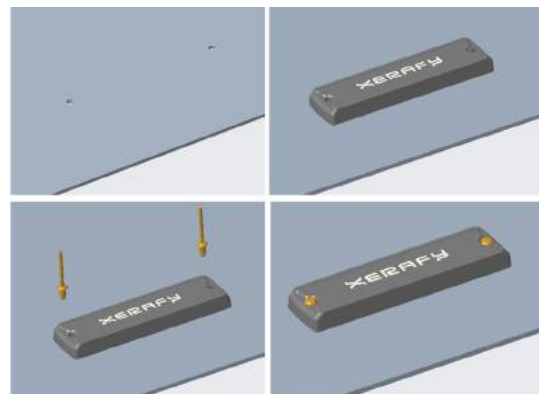
X03A2-US100-H3	Cargo Trak II US
X03A2-EU100-H3	Cargo Trak II EU
Optional service	Encoding / Printing

Product Dimensions and Weight

Dimensions (in)	3.94 x 1.02 x 0.35
Tolerance	+/- 0.02
Dimensions (mm)	100 x 26 x 8.9
Tolerance	+/- 0.5
Rivet hole diameter	0.137 in +/-0.008 (3.5 mm +/-0.2)
Weight	0.62 oz (17.8 g)



Installation Instructions



Instructions for optimal performances:

1. Drill two holes on the subject metal surface. (ϕ 3.4 mm, pitch: 88.7mm)
2. Insert two ϕ 3.2mm (recommended size) rivets on the tag.
3. Fix the tag on the metal surface with a rivet gun.

About Xerafy

Xerafy designs and manufactures the world's toughest RFID tags to power Industrial IoT applications in Aerospace, Oil & Gas, Automotive, Healthcare and Manufacturing.

For Product inquiries: sales@xerafy.com
Singapore | China | US | UK

[GO TO WEBSITE >](#)