



## Omni-ID® Adept 850

Omni-ID's Adept 850 durable High Memory RFID tag is specifically designed to store production data throughout global manufacturing operations. With 64Kbits user memory, a slim profile, tapered corners and secure connections, this tag is ideal for mounting on cycling metal carriers to give years of durable service.

### Applications

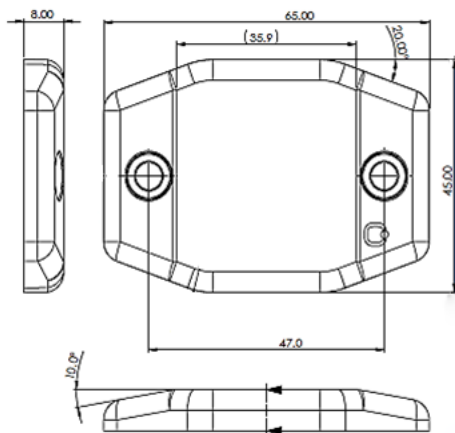
Omni-ID's Adept 850 **High Memory Tag** is an ideal solution for applications where storing process data is important such as:

- ▶ Manufacturing & Supply Chain
- ▶ Automotive
- ▶ Outdoor & Industrial Operations

### Physical Specifications

Material	ABS
Size (mm) (tolerance)	65 x 45 x 8 +/- 0.5
Size (in) (tolerance)	2.56 x 1.77 x 0.31 +/- 0.02
Weight (g)	34

### Dimensions



Dimensions stated in mm  
Attachment hole diameter = 5.2mm

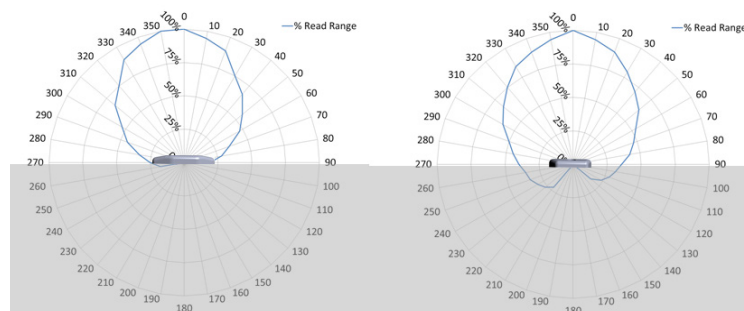
### RF Specifications

Protocol	EPC Class 1 Gen2
Frequency Range (MHz)	860-960MHz (global)
Read Range <sup>1</sup>	Up to 8.5 m (27.89ft)
Write Range	Up to 4 m
On Metal or Balanced	Optimized for metal
IC Type (chip)	Qstar-2A
Memory <sup>2</sup>	EPC - 240bits User - 64Kbits

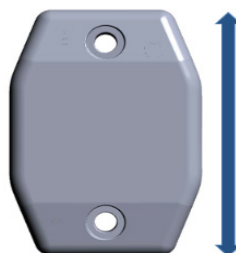
1. Quoted performance achieved using standard testing methodology. Read range will vary with reader hardware and output power.

2. EPC and User memory are reprogrammable

### Radiation Patterns



US Tag Polarization



EU Tag Polarization



High memory tags behave as remote agents that intelligently gather, store and provide information where and when it is needed. The following are examples of locations within a manufacturing facility where a High Memory Tag brings value:

- ▶ Engine Carrier tags in assembly operations
- ▶ Trolley and Carrier tags in Power Train operations
- ▶ Dunnage /RTI tags for warehouse operations



## Environmental Specifications

Storage Temperature <sup>1</sup>	-20°C to +85°C
Operation Temperature	-20°C to +85°C
Survivability	-20°C to +85°C
IP rating	IP68
Shock and Vibration <sup>2</sup>	MIL STD 810-G
Attachment <sup>3,4</sup>	Rivet/screw (not included) <sup>4</sup> Foam adhesive (option) Thin film adhesive (option)

### Certifications



RoHS approved  
CE approved  
ATEX/IECEX certified (option)  
US&Canada (C1D1/D2) certified (option)

Warranty	1 year
----------	--------

1. Excludes adhesive options, consult adhesive data sheets for recommended temperature ratings.
2. Testing methodology available on request
3. See polarization images on page 1 for tag placement requirements by band.
4. Riveting is highly recommended for applications above 55°C. Attachment hole diameter = 5.2mm

## Related Products

Exo 600	High performance, global RFID tag designed to meet the diverse needs of logistics industries. Ideal for returnable transit items.
Exo 750	Extreme durability, long range and global operability in a small, square footprint, on metal, RFID tag. Ideally suited to RTI applications in manufacturing tote tracking and logistics.
Exo 800	A long range passive UHF RFID tag capable of reading on, off, and near metal surfaces. A rugged design, ideal for long term use for returnable transit items.

## Ordering Information

Order code	114 GS
Option codes	:303 (Customization) :304 (ATEX/IECEX certified) :307 (US & Canada (C1D1 certified)) :701 (Standard Service Bureau)

Omni-ID office locations: **US | UK | China | India | Germany**  
For product or technology inquiries email: [sales@omni-id.com](mailto:sales@omni-id.com)