

[Products] you can identify with



Flex 1000 Shell +

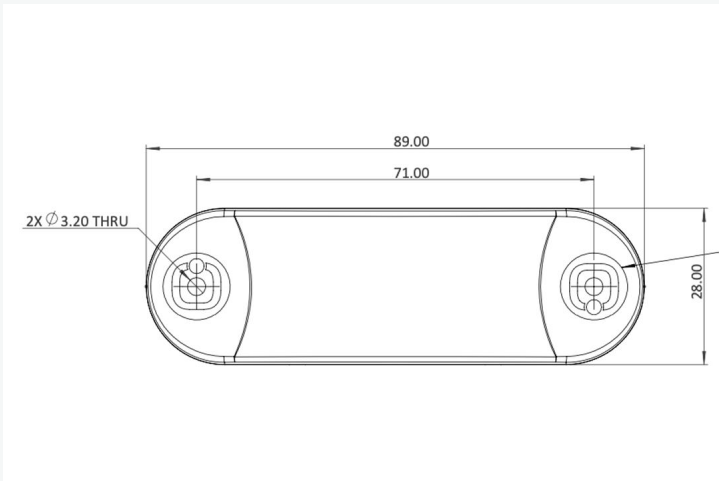
The Flex 1000 Shell + adds a hard, clear case lower and upper to fully encase our Flex label tag to provide medium level protection from knocks, liquid spillage or other environmental factors. The transparent case is an ideal way to protect printed information on the label whilst still making it readable by the human eye and without any impact on the read performance. The label itself is a low profile, small form factor RFID tag designed specifically for attachment to office equipment, IT assets or RTI's. With its superior RF performance, this tag excels in portal applications where the read range can be expanded by upto 25%. The Flex 1000 label on its own is well suited to indoor applications where a low-cost option is needed and the addition of the 'Shell +' makes it a cost effective semi robust outdoor option with a higher level of durability than its close cousin the Flex 1000 Shell which has the case upper but not the case lower.

Applications

The Flex 1000 Shell + is ideally suited to applications such as:

- Office equipment
- Light outdoor use
- Portals & Returnable Transit Items (RTI)

Dimensions



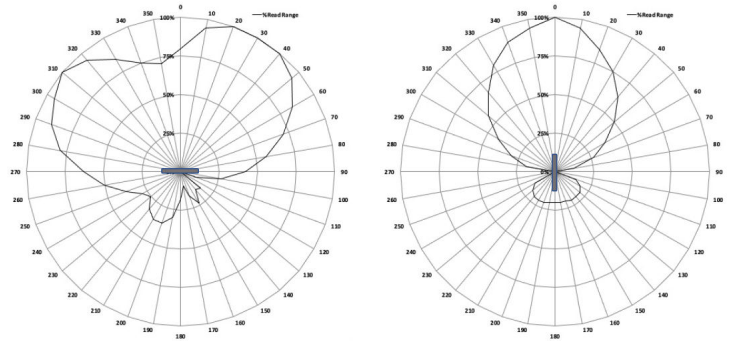
Measurements shown in mm

Physical Specifications

Material	White synthetic label encased
Size	89 x 28 x 8.3 mm 3.5 x 1.10 x 0.32 in
Weight (g)	US 11.98 EU 12.05
Attachment	Mechanical (STD), film (option), foam (option)

Product dimensions shown above are the maximum. Batch to batch variation could be within 5%. Unspliced sections will be within 0.2mm tolerance.

Radiation Patterns



[Products] you can identify with

Environmental Specifications

Operating Temperature	-30°C to +65°C
IP Rating	IP68
Impact	1KG

Certifications



Operational Specifications

Radio Protocol	EPC Class 1 Gen2v2
Frequency Range	866 – 868 MHz (EU) 902 – 928 MHz (US)
Read Range – Fixed Reader	Up to 1.8m (5.9 feet)
Read Range – Handheld Reader	Up to 1m (3.2 feet)
IC Type (Chip)	U-Code8

Quoted performance achieved using standard testing methodology on Aluminium test plates. Read range is dependent on multiple factors such as; RFID reader transmit power and receiver sensitivity, asset material and environment. Please see the Omni-ID On Metal Labels User Guide for more detail.
2 EPC and User memory are reprogrammable. UTID is locked at point of manufacture by IC manufacturer.

Ordering Information

Warranty	1 year
Part Number / Order Codes / Order Numbers	US CP14534 EU CP14531