

## [ Products ] you can identify with



### Flex 600 Shell

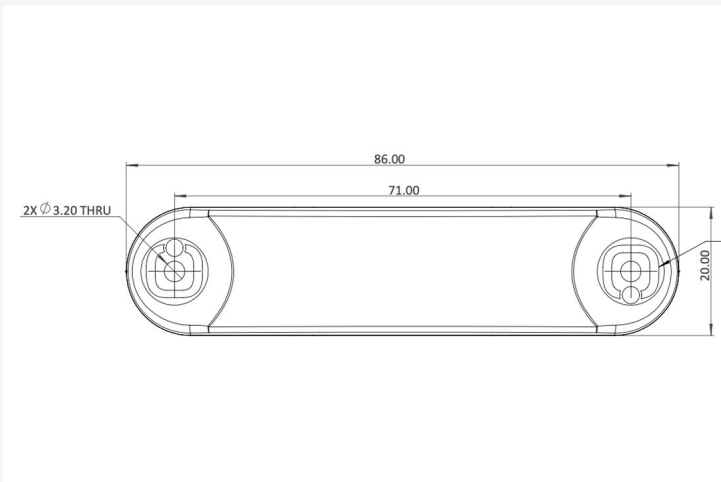
The Flex 600 Shell adds a hard, clear case upper on top of our Flex label tag to provide medium level protection from knocks, liquid spillage or other environmental factors. The transparent case is an ideal way to protect printed information on the label whilst still making it readable by the human eye and without any impact on the read performance. The label itself is a low profile, small form factor RFID tag designed specifically for attachment to office equipment, IT assets or RTI's. With its superior RF performance, this tag excels in portal applications where the read range can be expanded by up to 25%. The Flex 600 label on its own is well suited to indoor applications where a low-cost option is needed and the addition of the 'Shell' makes it a cost effective semi robust outdoor option.

### Applications

The Flex 600 Shell is ideally suited to applications such as:

- Office equipment
- Portals
- Light outdoor use

### Dimensions



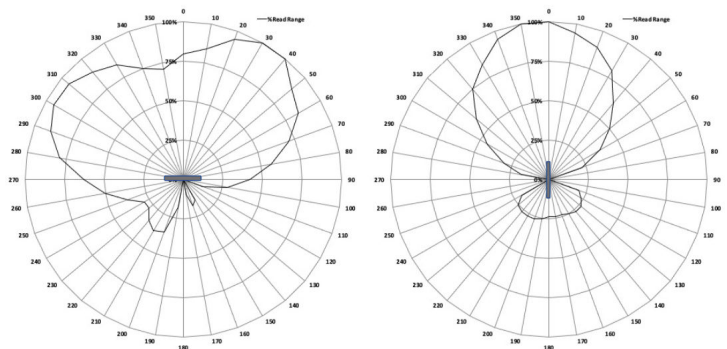
Measurements shown in mm

### Physical Specifications

<b>Material</b>	White synthetic label in encasing
<b>Size</b>	86 x 20 x 6.75 mm 3.38 x 0.78 x 0.26 in
<b>Weight (g)</b>	7.12
<b>Attachment</b>	Foam adhesive (STD)

Product dimensions shown above are the maximum. Batch to batch variation could be within 5%. Unspliced sections will be within 0.2mm tolerance.

### Radiation Patterns



## [ Products ] you can identify with

### Environmental Specifications

<b>Operating Temperature</b>	-30°C to +65°C
<b>IP Rating</b>	IP68
<b>Impact</b>	1KG

### Certifications



### Operational Specifications

<b>Radio Protocol</b>	EPC Class 1 Gen2v2
<b>Frequency Range</b>	866 – 868 MHz (EU) 902 – 928 MHz (US)
<b>Read Range – Fixed Reader</b>	Up to 1.5m (4.9 feet)
<b>Read Range – Handheld Reader</b>	Up to 0.9m (2.9 feet)
<b>On Metal or Balanced</b>	Optimized for metal
<b>Material Compatibility</b>	Metal
<b>IC Type (Chip)</b>	Monza R6-P
<b>Memory</b>	EPC - 128 bits User - 32 bits Unique TID - 48 bits

Quoted performance achieved using standard testing methodology on Aluminium test plates. Read range is dependent on multiple factors such as; RFID reader transmit power and receiver sensitivity, asset material and environment. Please see the Omni-ID On Metal Labels User Guide for more detail.  
2 EPC and User memory are reprogrammable. UTID is locked at point of manufacture by IC manufacturer.

### Ordering Information

<b>Warranty</b>	1 year
<b>Part Number / Order Codes / Order Numbers</b>	EU CP14525 US CP14528

For product or technology inquiries email: [sales@omni-id.com](mailto:sales@omni-id.com).  
Visit [omni-id.com](http://omni-id.com) to learn more about the complete line of **Omni-ID RFID** products